

Active inverted magnetron gauge

Edwards Active Inverted Magnetron Gauges (AIM) combine the gauge-head and controller in one compact Active unit. These gauges have proved to be rugged and reliable in a wide range of applications ranging from scientific instruments to industrial processes.



Features and benefits

- Drive electronics combined in the gauge head
 - Reduce the system cost
 - Save valuable rack space
- Wide-range, regulated, internal power supply
 - Runs from standard dc power supplies +13.5 to +36 V
 - Tolerant to voltage fluctuations
- Standard analog output 0 to +10 V dc and gauge identifier
 - Easy to interface with a computer or PLC
 - Fault output indication
- Low output impedance and integral Faraday shield
 - Provide high level of noise immunity
 - Permit long cable runs (up to 100 m)
- Interchangeable body tube
 - Rapid tube replacement without pre-calibration
 - Electrode service kit allows user cleaning and maintenance
- Bakeable Tube
 - The DN40CF tube is bakeable to 300°C (with the electronics removed)
- Unique striker design
 - Ensures rapid striking even at high vacuum or in contaminating conditions
- Low external magnetic field versions (SL and XL) for sensitive analytical instruments (patented)
- CSA C/US approved

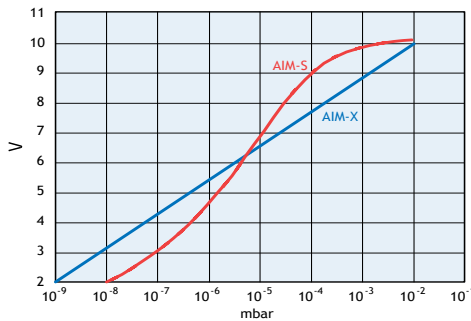
Technical data

Pressure range	
AIM-S	10 ⁻² to 10 ⁻⁸ mbar
AIM-X	10 ⁻² to 10 ⁻⁹ mbar
Accuracy*	Typically ±30%
Maximum overpressure	10 bar absolute (145 psi)
Power supply	+13.5 to +36 V dc (max 1 V ripple)
Power consumption	2 W maximum
Output signal	2 to 10 V dc
Set point	Open collector transistor
Maximum voltage	40 V dc
Current	100 mA max
Temperature range	
Operating	+5 to +60°C
Storage	+0 to +70°C
Baking	+300°C
(DN40CF versions only) (with electronics podule removed)	

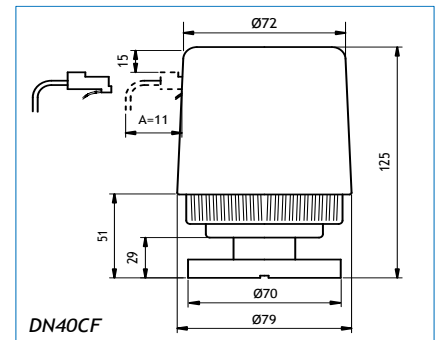
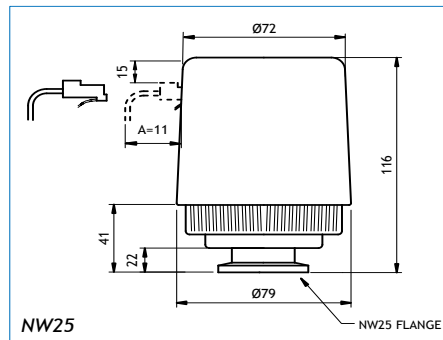
*Accuracy is reduced at the limits of the measuring range

Materials exposed to vacuum	
NW25 versions	Stainless steel 304 & 306 & 347 fluoroelastomer, glass
DN40CF	Stainless steel 304, 316 & 347, copper, ceramic
Internal volume	26 cm ³
Weight	
NW25	0.81 kg
DN40CF	1.09 kg
External interface connector	8-way FCC68/RJ45 socket
Vacuum fitting	NW25 or DN40CF
Standards	
Electromagnetic compatibility	EN 61326 (Class B Emissions)
Enclosure rating	IP40

Output characteristics



Dimensions - mm (inch)



Ordering information

Product	Order number	Order number *
AIM-S-NW25	D14641000	D1464100C
AIM-SL-NW25	D14644000	D1464400C
AIM-S-DN40CF	D14661000	D1466100C
AIM-SL-DN40CF	D14664000	D1466400C
AIM-X-NW25	D14642000	D1464200C
AIM-XL-NW25	D14645000	D1464500C
AIM-X-DN40CF	D14662000	D1466200C
AIM-XL-DN40CF	D14665000	D1466500C

* Supplied with a certificate of calibration traceable to national standards

Product	Order number
Replacement body tube assembly	
NW25	D14545801
DN40CF	D14661801
Body tube service kit	
NW25	D14545802
DN40CF	D14661802
Other accessories and supporting products	
NW25 centring 3D baffle StSt Viton	D02110000
Surge protector	D40006000

Global contacts

EUROPE

UK Crawley +44 1293 528844
 UK (local rate) 08459 212223
 Belgium Brussels +32 2 300 0730
 France Paris +33 1 4121 1256
 Germany Munich 0800 000 1456
 Italy Milan +39 02 48 4471

USA

Niagara (toll free) +1 800 848 9800
BRAZIL
 Sao Paulo +55 11 3952 5000
ISRAEL
 Qiryat-Gat +972 8 681 0633

ASIA PACIFIC

China (toll free) +86 400 111 9618
 India, Pune +91 20 4075 2222
 Japan, Yachiyo +81 47 458 8831
 Korea, Bundang +82 31 716 7070
 Singapore +65 6546 8408
 Taiwan R.O.C. Jhunan Town +886 3758 1000