

Active strain gauge 2 - range 2000 to 1 mbar

The Edwards Active Strain Gauge (ASG) is a rugged, corrosion resistant diaphragm gauge which provides accurate, gas independent measurement from 2000 mbar to 1 mbar or 1000 mbar to 1 mbar.

It can be used as a standalone transducer allowing OEMs and system builders to develop low cost, flexible solutions to their vacuum instrumentation needs.

Alternatively, it can be connected to the TIC Turbo and Instrument Controller family with an adapter cable where it can be combined with many other sensor types to provide a complete vacuum instrument solution.



Features and benefits

- Drive electronics combined in the gauge head
 - Simplifies system design
 - Saves valuable rack space
- Wide range, regulated internal power supply
 - Runs from standard dc power supplies +12 to +32 V
 - Tolerant to voltage fluctuations
- Standard analogue output 0 to 10 V dc
 - Easy to interface with a computer or PLC
- High accuracy and stability
 - Accuracy $\pm 0.2\%$ full scale
 - Stability 0.1% full scale
- Corrosion resistant, rugged design
 - Material exposed to vacuum is stainless steel 316L and Hastelloy C276
 - Enclosure rating IP65
- Gas independent measurement
 - Pressure measurement is completely independent of gas type making this gauge ideal for applications where gases other than nitrogen are used
- Excellent high pressure resolution
 - Ability to resolve 1 mbar changes in system pressure even at pressures near atmospheric makes the gauge ideal for monitoring large slow-pumping systems
- Part of the Active gauge range
 - Standard supply requirements and output voltage allow simple integration into systems using Active pirani, thermocouple, inverted magnetron, strain, wide range and ionization gauges. All of these are compatible with the TIC Turbo and Instrument Controller family of multi channel digital displays and controllers

Technical data

Full scale pressure range	2000 or 1000 mbar
Accuracy	±0.2% full scale
Stability	0.1% full scale
Temperature coefficient	0.03% full scale per °C
Power supply	+12 to +32 V
Power consumption	0.1 W
Output signal	
Operating	0 to 10 V dc linear
Output impedance	51 Ω
Minimum load	> 10 k Ω
Adjustments	Set full scale and set zero

Temperature range	
Compensated	-10 to +50 °C
Operating	-40 to +80 °C
Materials exposed to vacuum	Stainless steel 316L, Hastelloy C276
Internal volume	2.78 cm ³
Weight	150 g
Electrical connector	4 pin DIN 43650 Form A
Vacuum fitting	½" NPT male or NW16
Standards	
Electromagnetic compatibility	EN61326-2-3 for transducers
Enclosure rating	IP 65

Pin allocation

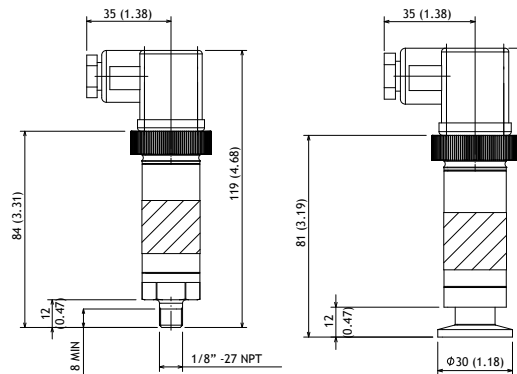
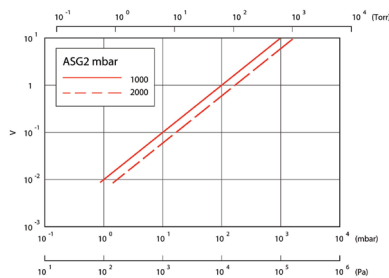
Din 43650 Form A (gauge head only)

1	Power supply positive	1	Power supply positive
2	Power supply common	2	Power supply common
3	Gauge output	3	Gauge output
4	Signal common		

FCC-68 (with adaptor cable)

4	Gauge identification	7	No connection
5	Signal common	8	No connection
6	No connection		

Output characteristics/Dimensions (mm - inch)



Ordering information

Product description	Order no.	Order no. (certificated)*
ASG2 NW16 1000 mbar	D35736000	D3573600C
ASG2 NW16 2000 mbar	D35738000	D3573800C
ASG2 ½" NPT 1000 mbar	D35735000	D3573500C
ASG2 ½" NPT 2000 mbar	D35737000	D3573700C
ASG2 adaptor cable (0.5 m) 4 pin DIN43650 form A to FCC68	D40003160	

*Supplied with a certificate of calibration traceable to national standards

Product description	Order no.
Cable assemblies (inc FCC68 compatible connectors at both ends)	
0.5 m	D40001005
1 m	D40001010
3 m	D40001030
5 m	D40001050
10 m	D40001100
15 m	D40001150
25 m	D40001250
50 m	D40001500
100 m	D40001999

Global contacts

EUROPE

UK Crawley +44 1293 528844
 UK (local rate) 08459 212223
 Belgium Brussels +32 2 300 0730
 France Paris +33 1 4121 1256
 Germany Munich 0800 000 1456
 Italy Milan +39 02 48 4471

USA

Niagara (toll free) +1 800 848 9800
 BRAZIL
 Sao Paulo +55 11 3952 5000
 ISRAEL
 Qiryat-Gat +972 8 681 0633

ASIA PACIFIC

China (toll free) +86 400 111 9618
 India, Pune +91 20 4075 2222
 Japan, Yachiyo +81 47 458 8831
 Korea, Bundang +82 31 716 7070
 Singapore +65 6546 8408
 Taiwan R.O.C. Jhunan Town +886 3758 1000



WWW.EDWARDSVACUUM.COM

info@edwardsvacuum.com

Publication Number: D35710895, Issue D
 © Edwards Limited 2013. All rights reserved.
 Edwards and the Edwards logo are trade marks of Edwards Limited.