

QSB Quarter Swing Butterfly Valve



The QSB quarter swing valves are compact, quick acting, high conductance isolation valves. The QSB valves have a polished, stainless steel, ISO flanged body with fluoroelastomer 'O' ring sealed valve plate and shaft. The valve plate 'O' ring groove is vented to help maintain a stable high vacuum. The valve shaft 'O' rings and bearings are lubricated with Fomblin® grease to prevent gas bursts from behind the shaft seals.

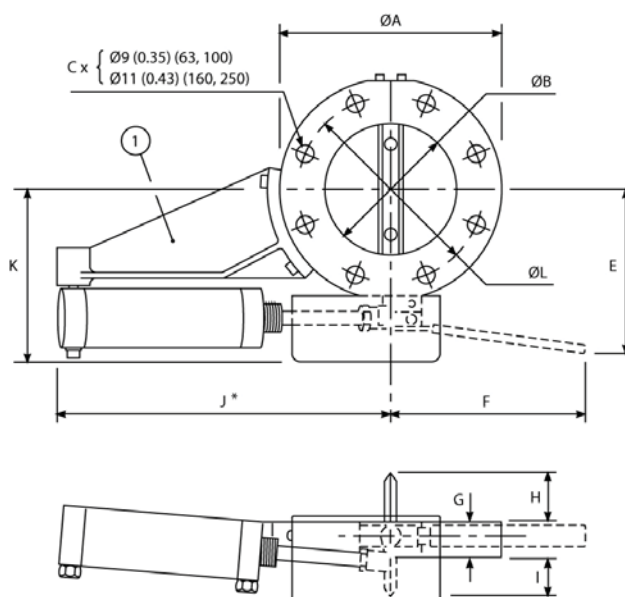


This valve is supplied with a Co-Seal.

Features & Benefits

- Manual operation
- High conductivity
- Resists atmosphere in either direction
- Compact and quick acting
- Corrosion resistant construction

Dimensions



	A	B	C	E	F	G	H	I	J	K	ØL
63	130	63	4	111	130	23.5	24.5	19	-	-	110
63P	130	63	4	105	-	23.5	24.5	19	235	108	110
100	165	96	8	125	130	26	41	33	-	-	145
100P	165	96	8	123	-	26	41	33	238	126	145
160	225	142.5	8	170	180	43.5	55	48.5	-	-	200
160P	225	142.5	8	166	-	43.5	55	48.5	263	166	200

1 Actuator cylinder support bracket (QSB63P, QSB100P and QSB160P only)

Technical Data

Valve plate material	AISI 304 stainless steel
Operating pressure range	10^{-9} - 3000 mbar / 8×10^{-10} - 2250 Torr
Max pressure differential	1000 mbar / 750 Torr
Operating temp range	5 - 40 °C
Max baking temp	200 °C (without actuator)
Leak rate	$< 10^{-9}$ mbar ls ⁻¹ / 8×10^{-10} Torr ls ⁻¹
Pneumatic valves only:	
Reliability (MTTF)	$> 1.5 \times 10^5$ cycles
Pneumatic connectors	1/8 inch BSP, for 6mm OD tube
Number of connectors	
QSB63, QSB100, QSB160	2
Reed switch rating	
Max voltage	30V
Max current	500mA
Max Power	6W
Reed switch connectors	3m flying leads
Microswitch rating	5A at 48V
Microswitch connectors	
QSB63, QSB100, QSB160	Solder tags
Flange Size	ISO63 up to ISO250
Conductance *	420 ls ⁻¹
QSB63	420 ls ⁻¹
QSB100	1250 ls ⁻¹
QSB160	2700 ls ⁻¹
Recommended pneumatic pressure~ (bar)	
QSB63, QSB100, QSB160	2.8 to 4.2

* Conductance of equivalent tube length
~ Pneumatic operation

Ordering Information

Product Description	Order No.
QSB63, Manual Operation	B42402000
QSB100, Manual Operation	B42602000
QSB160, Manual Operation	B42802000
QSB63P, Double Pneumatic Operation	B42403000
QSB100P, Double Pneumatic Operation	B42603000
QSB160P, Double Pneumatic Operation	B42803000
QSB63P, Double Pneumatic Operation with reed switches	B42409000
QSB100P, Double Pneumatic Operation with reed switches	B42609000
QSB160P, Double Pneumatic Operation with reed switches	B42809000
Accessories & Spares	Order No.
O Ring Viton 1161 Pk 1	H02106161
O Ring Viton 0340 Pk 1	H02106055
O Ring Viton Vit 1208 Pk 1	H02106208
Valve shaft seal O-Ring Vit0012 Pk5	H02106010
O Ring Viton Vit 0111 Pk 5	H02106011
5 Port Lightweight Electropneumatic Control Valve 24V a.c.	B28703030
5 Port Lightweight Electropneumatic Control Valve 24V d.c.	B28703055
5 Port Lightweight Electropneumatic Control Valve 110V a.c.	B28703031
5 Port Lightweight Electropneumatic Control Valve 230V a.c.	B28703032